

NP10 is a manual press, ideal for compacting plastic wrap and shrink film. It reduces the volume near source and can easily be moved.

- ▶ Easy to use for all members of staff
- ▶ Manual press - no electrical power required
- ▶ Less than 0,5 m2 floor space is needed
- ▶ Its press ram goes far down into the chamber, giving compact bales
- ▶ Bale weight 10-25 kg
- ▶ Bale size allows four bales on a EUR-pallet
- ▶ Efficient collecting of plastic material minimizes internal transport costs
- ▶ Low consumption cost per kg of plastic gives low operating cost



NP10 is easy to locate/relocate where it is needed the most. The wheels are lockable.



Load the material into the chamber and push the press ram down.



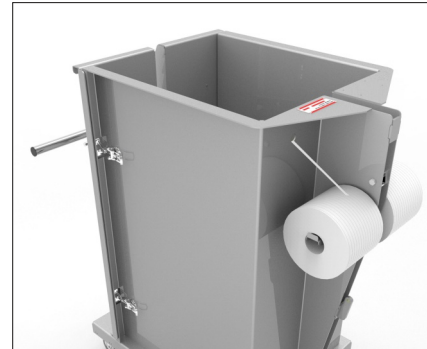
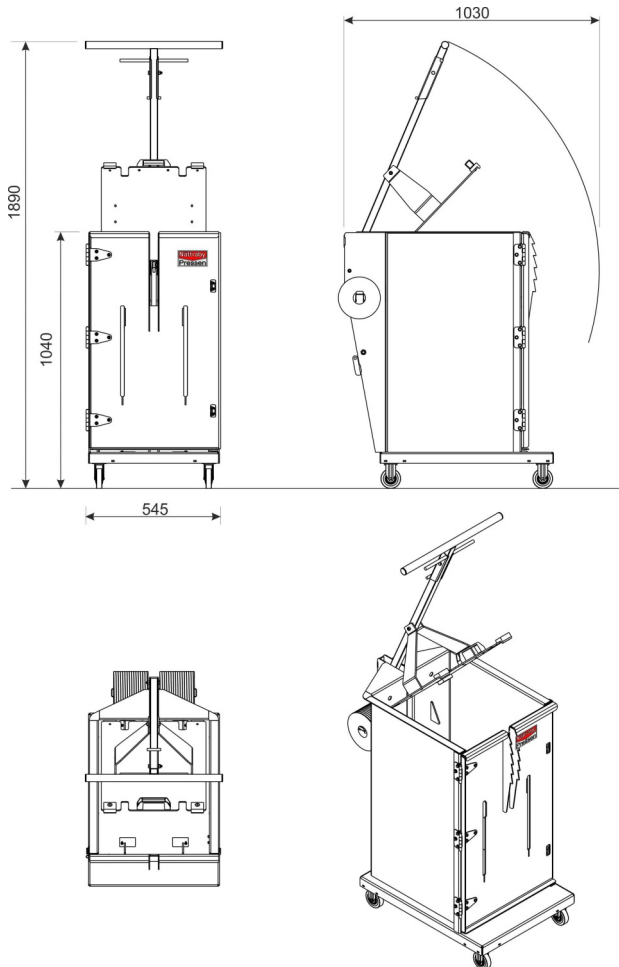
The press ram is automatically locked in its down position, keeping the material under pressure. The press ram is released by a quick hand grip.



Use an NP10 together with a Nättraby baler, for compacting paper/cardboard, for a complete waste solution.

NP10 Manual Press

- no waste of space -



Two bale strapping rolls are placed at the back of the press.



The bale strapping is pulled down along the chamber floor and attached at the front.



A long stroke length with constant pressure drives out the air and provides compact bales.

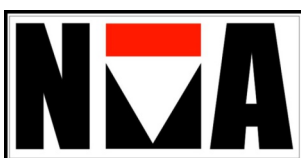
Our continuous development in close co-operation with users world wide gives us a unique knowledge of compacting and recycling.

The result is an outstanding range of products, representing good design with excellent performance.



Model	Weight kg	Feed opening mm	Bale size mm			Bale weight kg
			Length	Width	Height	
NP10	89	548 x 545	548	545	500-650	10 - 25

Please contact us for more information of other products!
We reserve the right to introduce technical alterations.



NÄTTRABY VERKTYGS AB
 Angelskogsvägen 8, SE – 372 38 RONNEBY
 Tel. +46 457 19220
www.natrabypressen.com
info@natrabypressen.com
 SWEDEN

